

PLAN

(COVER NOT SHOWN)

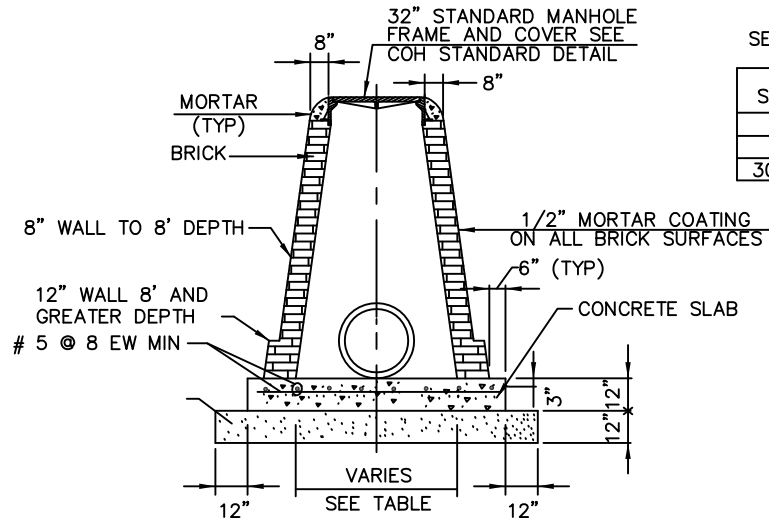


TABLE
SEWER SIZE VS MANHOLE SIZE

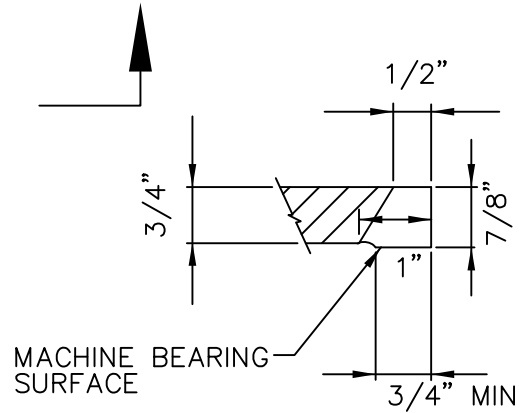
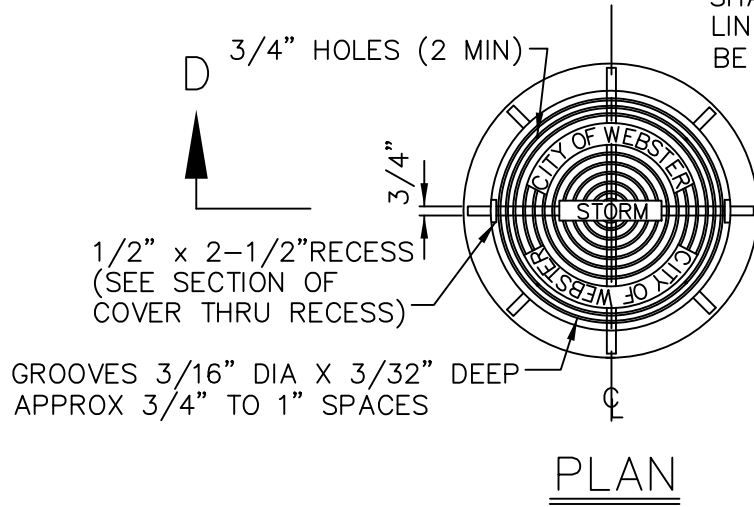
SEWER SIZE	MANHOLE BASE DIAMETER
42"	5'-0"
36"	4'-6"
30" AND LESS	4'-0"

SECTION A-A

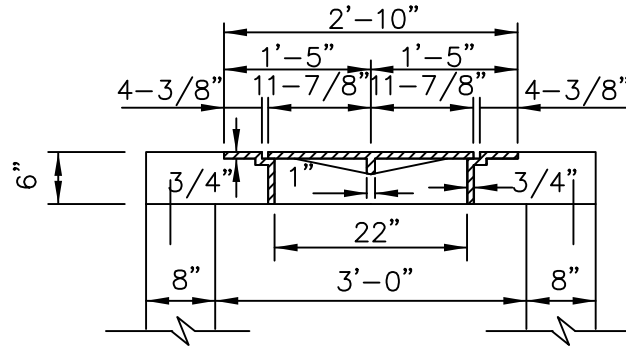
STANDARD STORM SEWER MANHOLE TYPE 'C'
FOR 42" DIAMETER RCP & SMALLER DETAILS
City of Webster, Texas

	N.T.S.	STORM APPENDIX 1
		Prepared by: GIS Div.
		Checked by: S. Hicks, P.E.
		Date: 04/04/2011

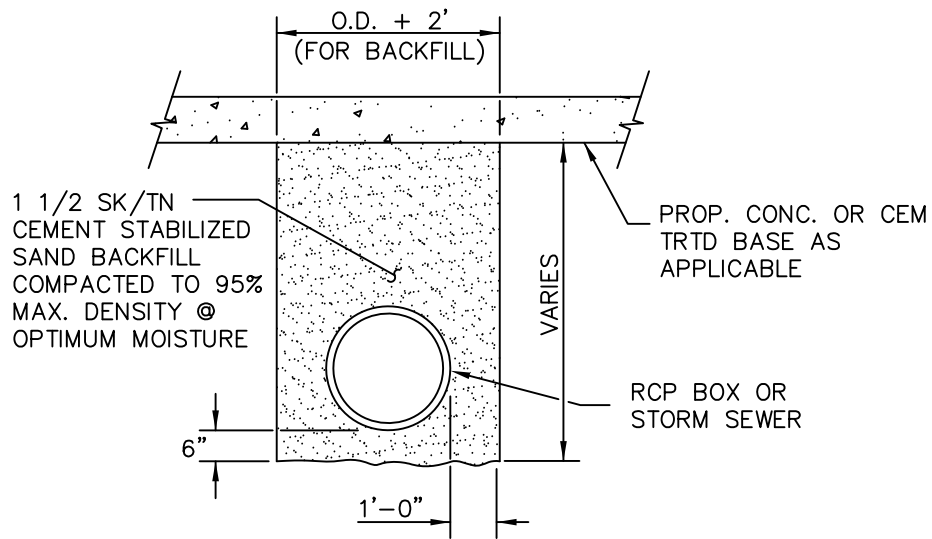
ALL LETTERS SHALL BE 2" HIGH AND
SHALL BE RAISED 1/8"
LINE WIDTH FOR LETTERS SHALL
BE 1/4" WIDE



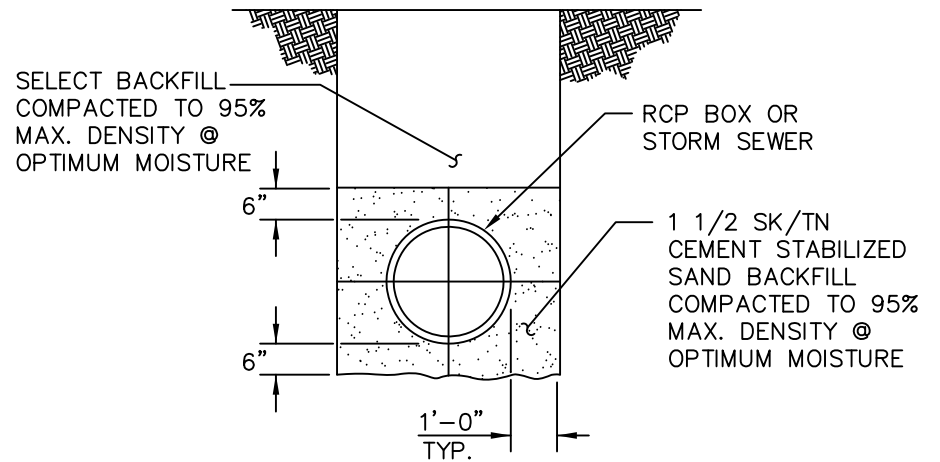
SECTION OF COVER
THRU RECESS



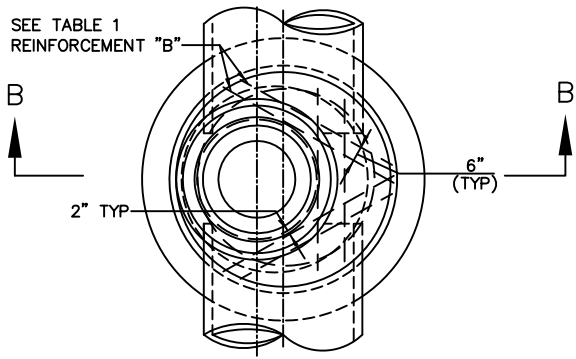
SECTION D-D



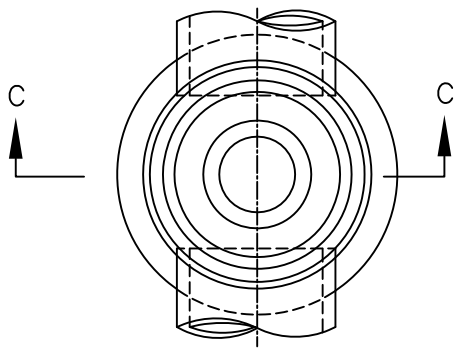
PAVED AREA



GRADED AREA

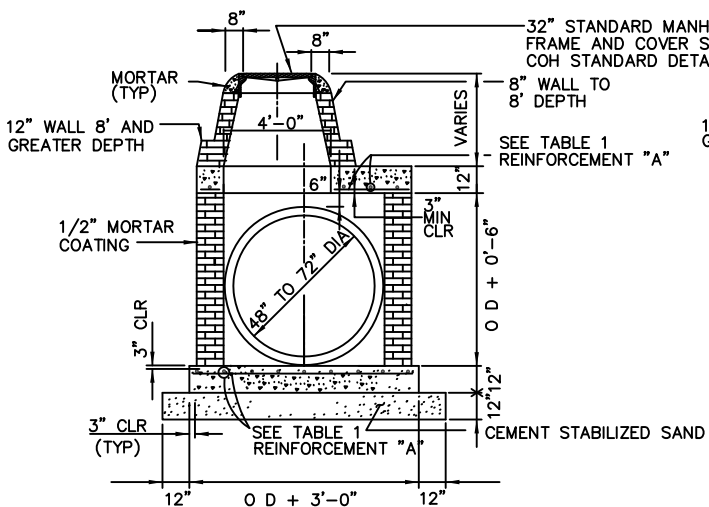


SHALLOW PLAN
COVER NOT SHOWN

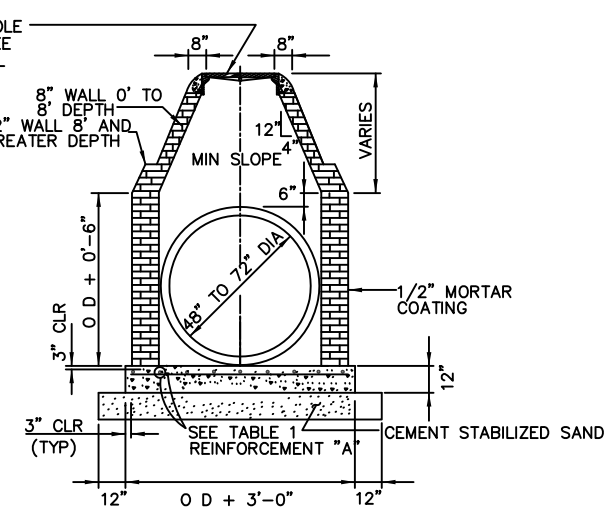


STANDARD PLAN
COVER NOT SHOWN

NOTE:
WHEN MANHOLE HAS
LESS DEPTH THAN MIN
SHOWN ON TABLE 1,
BUILD SECTION A
OTHERWISE BUILD
SECTION B.



SECTION B-B



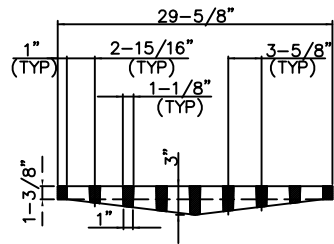
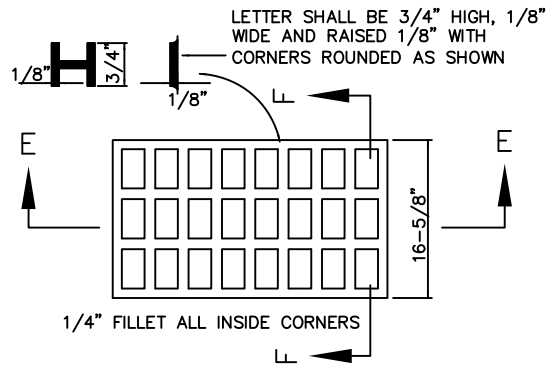
SECTION C-C

TABLE 1
DATA FOR VARIOUS PIPE DIAMETERS

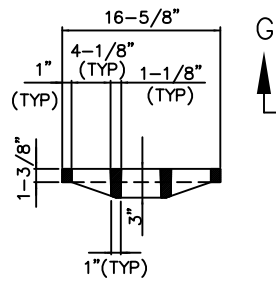
PIPE DIA (INCHES)	MIN DEPTH	REINFORCEMENT ("A")	REINFORCEMENT ("B")
48"	8'-0"	# 5 @ 12 E W	2 - # 6
54"	9'-4"	# 5 @ 10 E W	2 - # 6
60"	10'-7"	# 5 @ 8 E W	2 - # 7
66"	11'-10"	# 5 @ 7 E W	2 - # 7
72"	13'-2"	# 5 @ 6 E W	2 - # 7

STANDARD STORM SEWER MANHOLE TYPE "C"
FOR 48" TO 72" DIAMETER RCP DETAILS
City of Webster, Texas

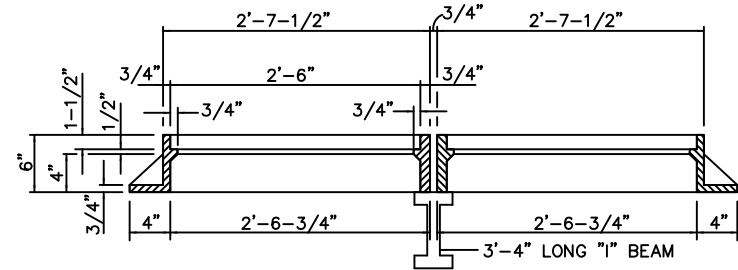
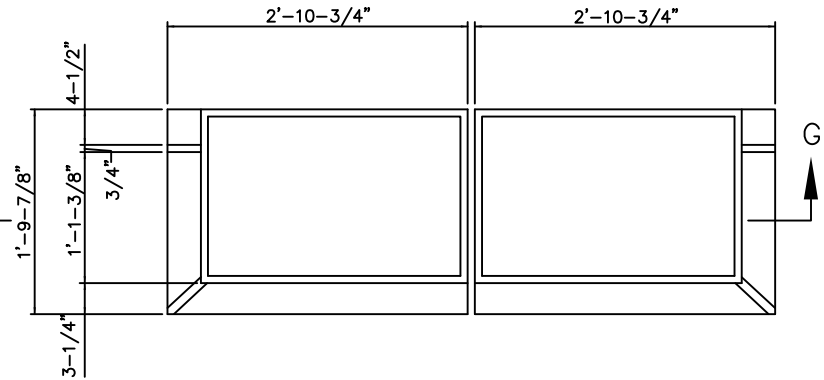
N.T.S.	STORM APPENDIX 4
	Prepared by: GIS Div.
	Checked by: S. Hicks, P.E.
	Date: 04/04/2011



SECTION E-E

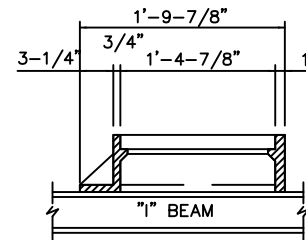


SECTION F-F

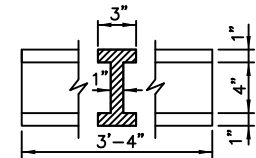


SECTION G-G

TYPE "B" AND "BB" GRATE



HALF SECTION

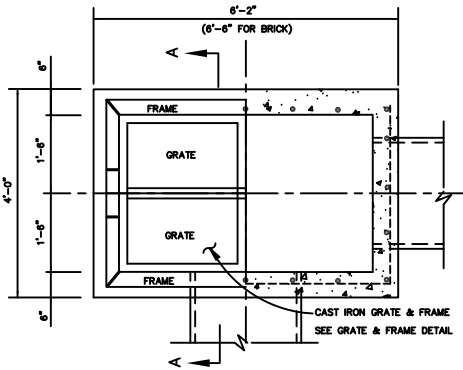


"1" BEAM
(CAST IRON)

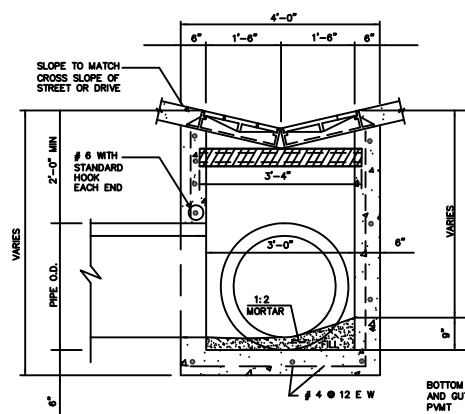
TYPE "BB" FRAME & "1" BEAM

STANDARD TYPE "B" & "BB" GRATE AND
TYPE "BB" FRAME & "1" BEAM DETAILS
City of Webster, Texas

	N.T.S.	STORM APPENDIX 5
		Prepared by: GIS Div.
		Checked by: S. Hicks, P.E.
		Date: 04/04/2011



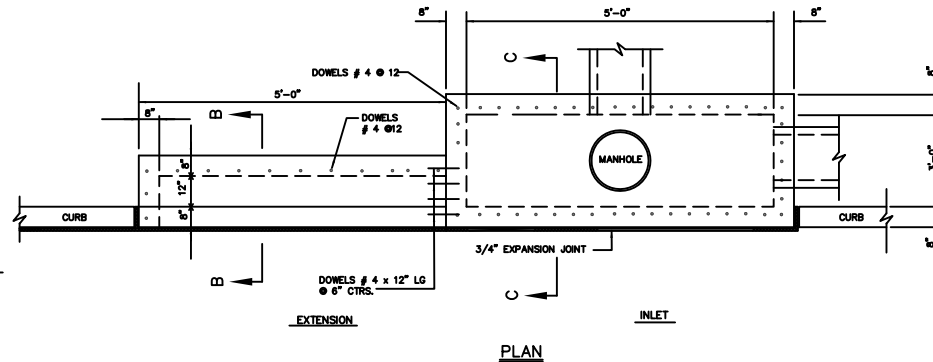
PLAN



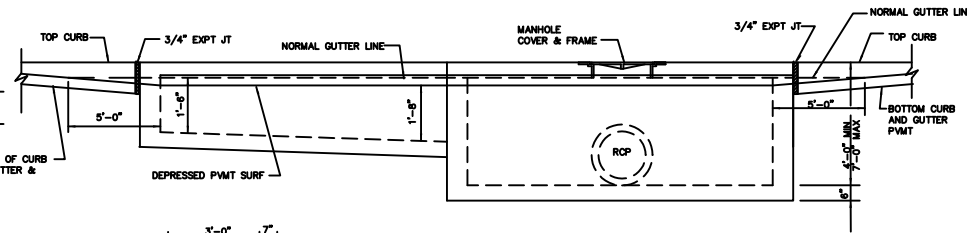
SECTION A-A

TYPE "BB" INLET

JUNCTION BOX SUMMARY (SEE TYPICAL JUNCTION BOX DETAIL THIS SHEET)																	
STATION	OFFSET	PIPE SIZE (IN)				FLOW LINE ELEV.				DIMENSION							
		NORTH	SOUTH	EAST	WEST	NORTH	SOUTH	EAST	WEST	A	B	C	D	E	F	G	H
560+73	32' LT	5'x4' ROB	5'x4' ROB	2'-24"	24"	9.58	9.58	16.32	16.69	9'-0"	8'-4"	4"	6"	7'-8"	7'-0"	9"	8"
583+27	34' RT	2'-54"	2'-54"	36"	-	15.02	15.02	15.02	-	13'-6"	12'-10"	4"	6"	6'-4"	5'-8"	4"	8"
596+46	41' RT	2'-24"	30"	42"	36"	17.13	16.12	16.12	16.12	7'-8"	7'-0"	4"	6"	6'-11"	6'-3"	2"	8"
599+11	41' RT	42"	42" & 48"	-	42"	15.58	15.58	15.58	15.58	11'-9"	11'-1"	4"	6"	6'-11"	6'-3"	2'-0"	6"
26+78	36' RT	-	36"	36" & 42"	42" & 48"	-	15.12	15.12	15.12	6'-4"	5'-8"	4"	6"	11'-9"	11'-1"	2'-4"	6"

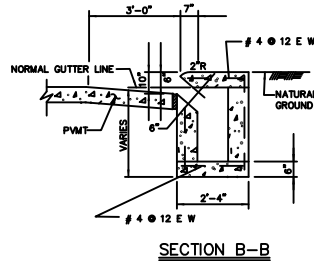


PLAN

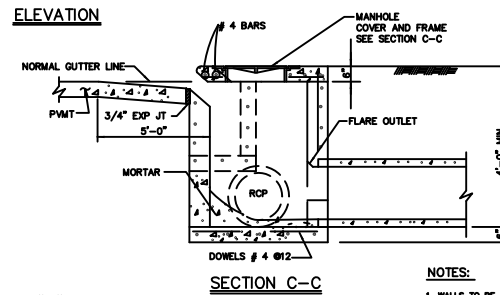


ELEVATION

TYPE "C" INLET



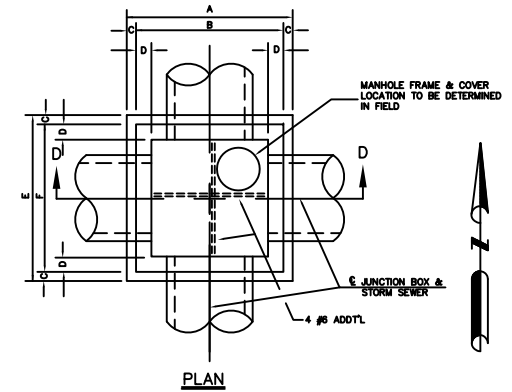
SECTION B-B



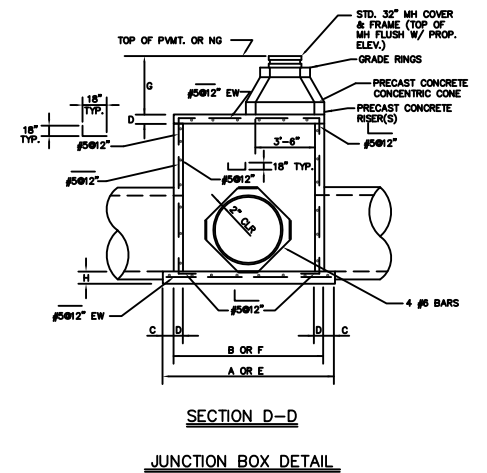
SECTION C-C

NOTES:

1. WALLS TO BE 6" IF BUILT WITH REINFORCED CONCRETE. WHEN BUILT WITH BRICK WALL, USE STRAIGHT WALL IN BACK WITH 6" REINFORCED CONCRETE TOP SLABS DOWELLED INTO BRICK WALLS WITH #4 X 8" @ 12.



PLAN



SECTION D-D
JUNCTION BOX DETAIL